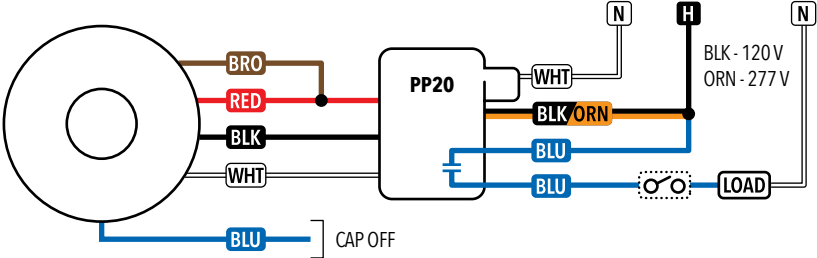


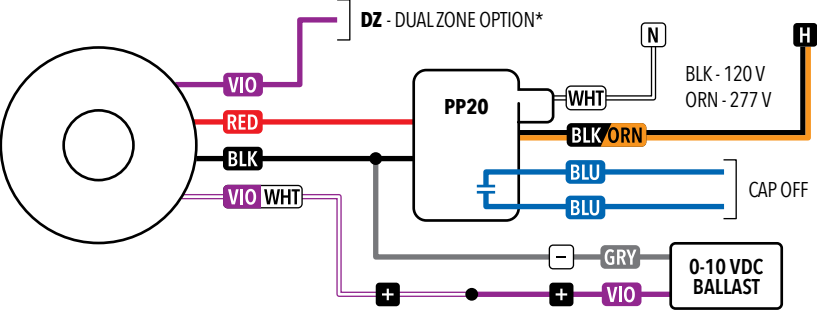
# Daylight Control Wiring Diagrams



### LOW VOLTAGE ON/OFF PHOTOCONTROLS



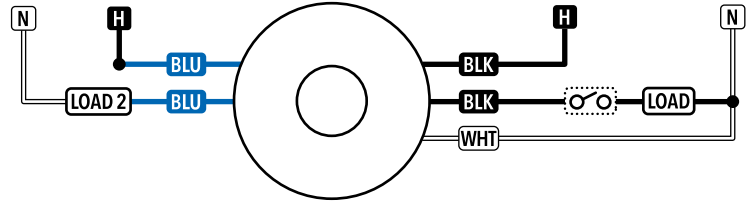
### LOW VOLTAGE AUTOMATIC DIMMING PHOTOCONTROLS



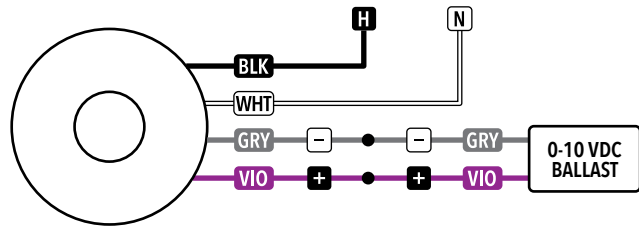
\*Wire to an additional 0-10VDC Ballast

\*in the 0-10V product the grey wire could be pink

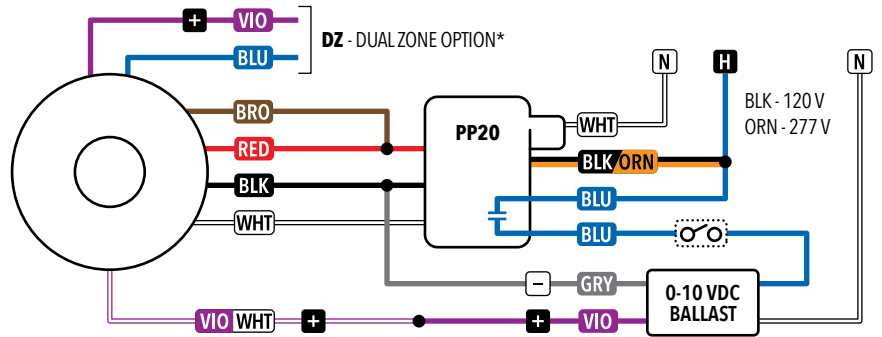
LINE VOLTAGE ON/OFF PHOTOCONTROLS



LINE VOLTAGE AUTOMATIC DIMMING PHOTOCONTROLS



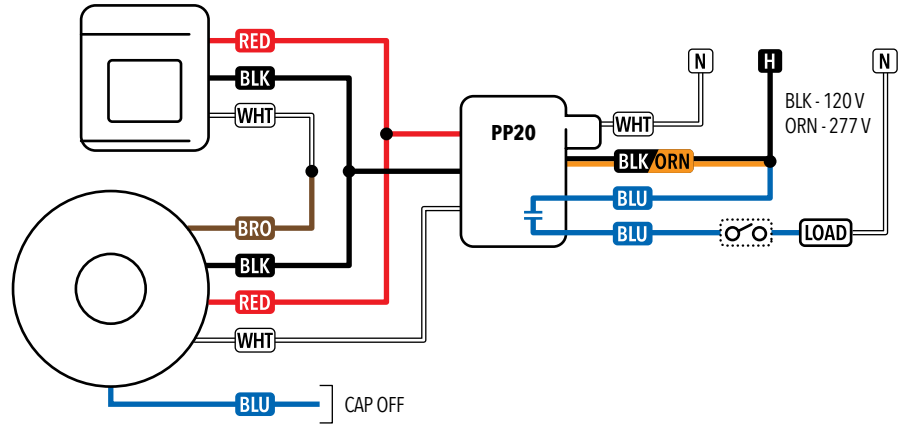
LOW VOLTAGE ON/OFF & AUTOMATIC DIMMING PHOTOCONTROLS



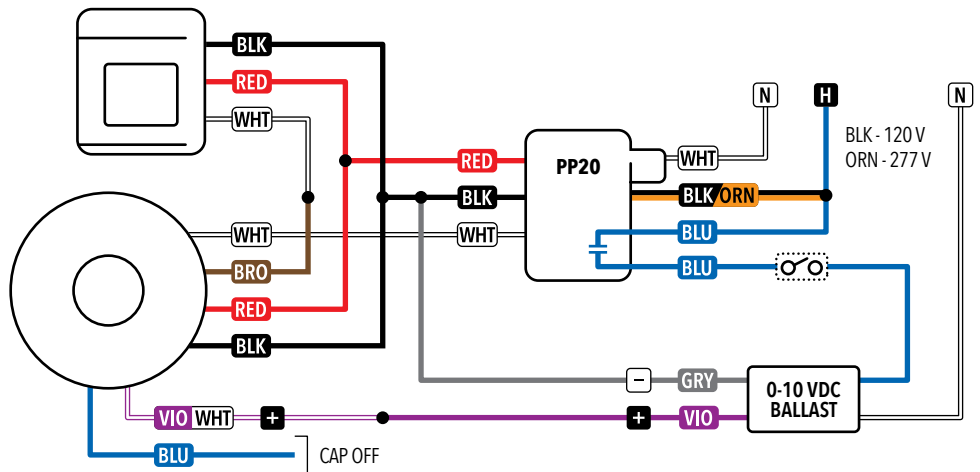
\*Wire VIO to additional 0-10 VDC Ballast & wire BLU to an Additional PP20

\*in the 0-10V product the grey wire could be pink

**LOW VOLTAGE ON/OFF  
PHOTOCONTROL W/ LOW VOLTAGE  
OCCUPANCY SENSORS**



**LOW VOLTAGE ON/OFF & AUTOMATIC  
DIMMING PHOTOCONTROL W/ LOW  
VOLTAGE OCCUPANCY SENSORS**



\*in the 0-10V product the grey wire could be pink