

# Line Voltage On/Off Photocell

APPLICABLE SERIES

WIRING DETAILS

NOTES

CMR-PC  
RMR-PC  
CMRB-PC

## STANDARD WIRING

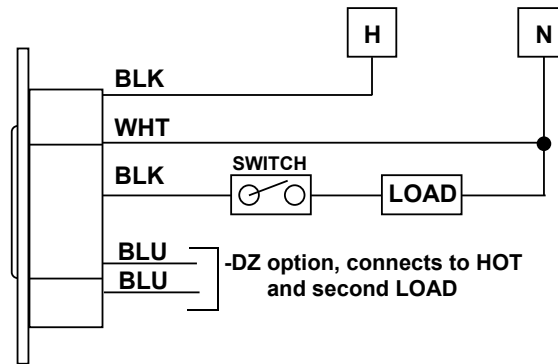
The sensor uses Sensor Switch's patented reversible wiring; black to hot and black to load (-DZ and -480 options add a pair of blue wires for the second zone or phase). For 120/277, and 347 VAC the white wire connects to neutral. Alternatively, for 480 VAC the white wire connects to either the phase 1 or phase 2 line input. Black wires are replaced with Red wires for 347 VAC.

Once installed, the sensor may take a few minutes to become active.

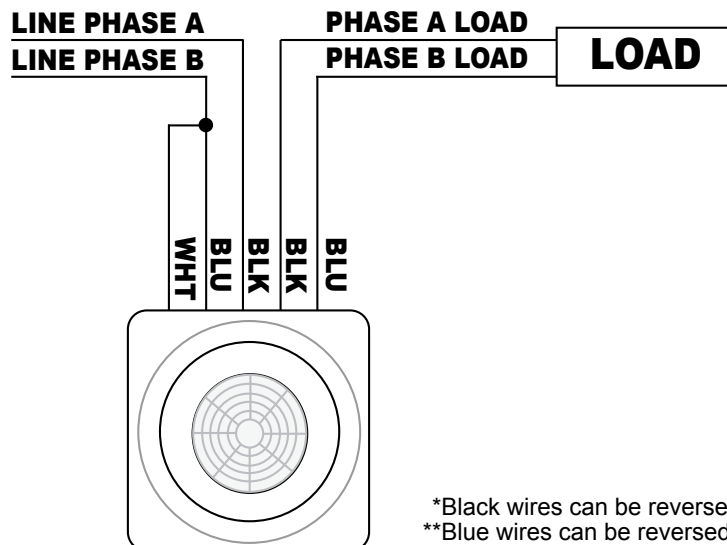
There is a 45 second delay before switching from off to on (this delay is 55 seconds when connected to 50 Hz).

If toggle switch is required for override off operation, wire after the sensor and before the load

WIRING FOR 120/277 AND 347 VAC



WIRING FOR 480 VAC



\*Black wires can be reversed  
\*\*Blue wires can be reversed